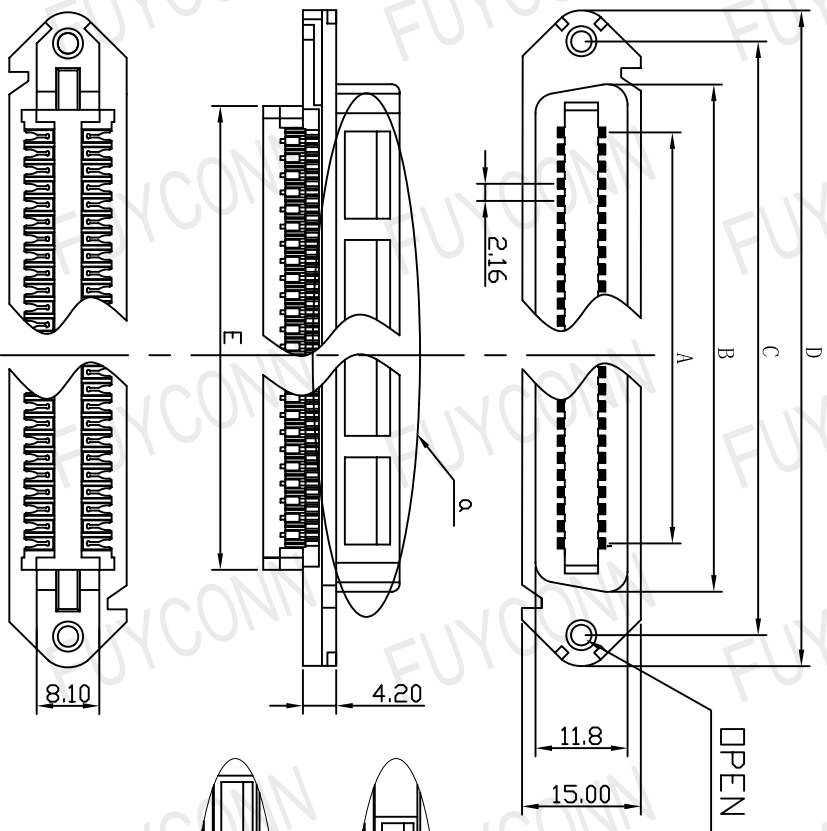


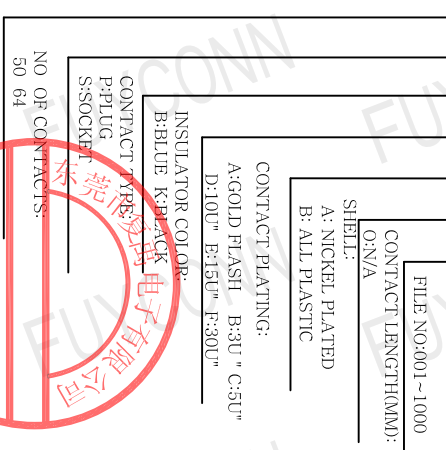
REV	DATE	DESCRIPTION
A	2011-7-4	



	A	B	C	D	E
50	51.84	64.1	74.90	82.658, 88.4	
64	66.96	79.2	89.95	97.7	73.5

Material & finish
INSULATOR:
PPO & Glass-fibre reinforced
SHEEL:
ALL PLASTIC
UL-94-V0
CURRENT RATING:5Amp
DIELECTRIC STRENGTH:
1000V for one minute
INSULATOR RESISTANCE:
1000MΩ MIN.(at 500V DC)
CONTACT RESISTANCE:25mΩ Max. mated
TEMPERATURE:
-55°C t₀ +105°C

57RI * S * B 0 146



FUYCONN
东莞市复禹电子有限公司
DONG GUAN FUYCONN ELECTRONICS CO., LTD

MODEL NAME: 57-刺破式母头

SELECT	1	2	3	EXTRA	PART NO. 57RI*S*B0146	FILE NO. FUY57146
DM	0.000	0.05	0.05	0.10	APPROVED BY:	SCALE:
TOI	0.00	0.10	0.15	0.20	CHECKED BY:	DATE: 2011-7-4
	0.0	0.15	0.25	0.30	DRAW BY: 宋玲	
ANGLE	0.	0.25	0.30	0.40		
	1.0°	3.0°	5.0°			